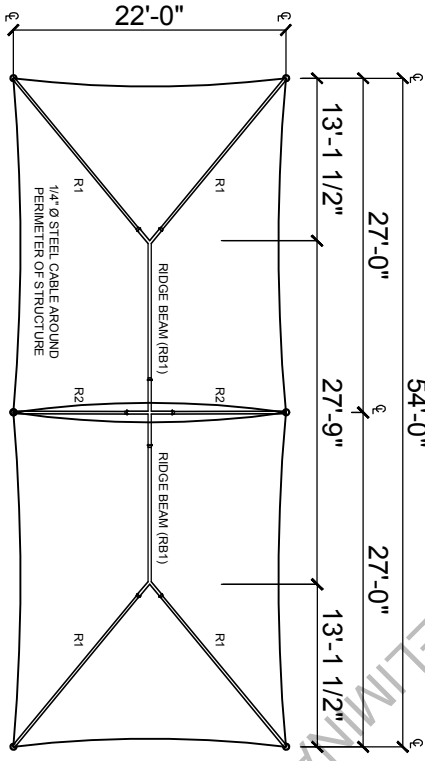
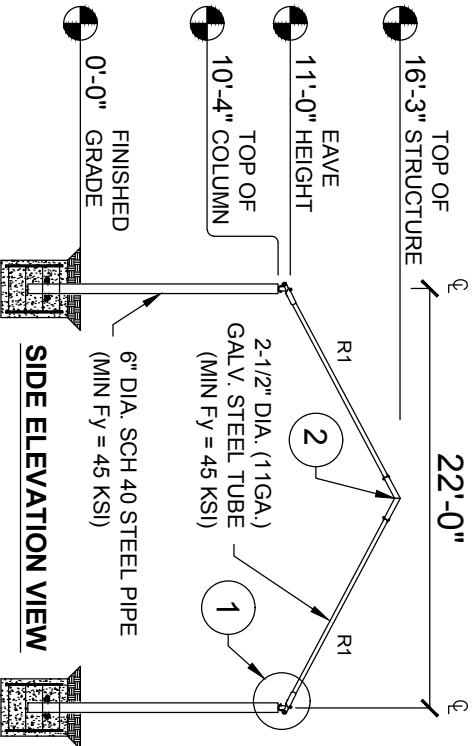


ISOMETRIC VIEW

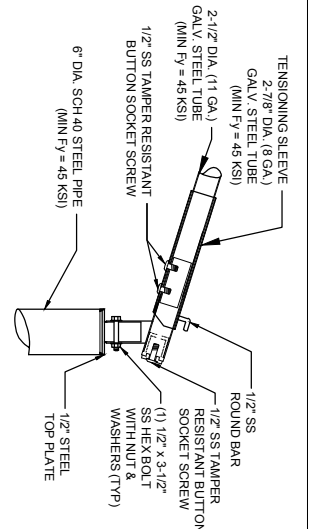


PLAN VIEW

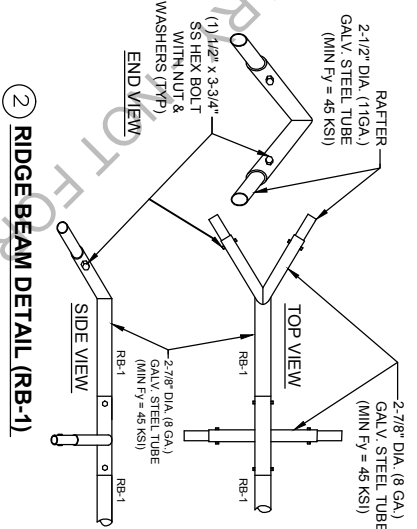


SEE FOOTING DETAIL

SEE FOOTING DETAIL



1 RAFTER-TO-COLUMN DETAIL



2 RIDGE BEAM DETAIL (RB-1)

GENERAL NOTES

1. THE SHADE SYSTEM, INC.'S STRUCTURE HAS BEEN DESIGNED IN ACCORDANCE WITH THE 2014 INTERNATIONAL BUILDING CODES AND ASSET TO THE FOLLOWING DESIGN CRITERIA:
 - CATEGORY 1
 - EXPOSURE B
 - DESIGN WIND PRESSURE 15.0 PSF
 - DESIGN UP/UP PRESSURE 15.0 PSF
 - DESIGN DOWN PRESSURE 15.0 PSF
2. THE FOUNDATION ASSUMES A MINIMUM SOIL BEARING CAPACITY OF 1500 PSF.
3. ALL FASTENERS SHALL BE STAINLESS STEEL.
4. THE FABRIC SYSTEM IS DESIGNED TO RELEASE WINDBORN SPEED EXCEEDS 110 MPH, WHICH IS THE DESIGN LOAD ON THE STRUCTURE WITH FABRIC.

STEEL:

1. STEEL PIPES SHALL HAVE A MINIMUM YIELD STRENGTH OF 45 KSI.
2. ALL PARTS SHALL BE FACTORY WELDED TO AMERICAN WELDING INSTITUTE (AWS) D1.1 SPECIFICATIONS TO SA 31200.
3. ALL PARTS SHALL BE FACTORY WELDED TO AMERICAN WELDING INSTITUTE (AWS) D1.1 SPECIFICATIONS TO SA 31200.
4. ALL WELDS SHALL BE FULL PENETRATION GROOVE WELDS.

CONCRETE:

1. ALL CONCRETE SHALL BE MIXED AND PLACED IN ACCORDANCE WITH THE LATEST EDITION OF ACI 308 AND 318.
2. CONCRETE SHALL HAVE A MINIMUM 28 DAY COMPRESSIVE STRENGTH TO AT LEAST 2800 PSI THAT IS MIXED IN ACCORDANCE WITH THE MANUFACTURER'S RECOMMENDATIONS IS ACCEPTABLE FOR USE.
3. REINFORCING STEEL SHALL BE ASTM A618 GRADE 60 WITH A MINIMUM YIELD STRENGTH (fy) OF 60 KSI.
4. UNLESS OTHERWISE SHOWN, CONCRETE COVER SHALL BE 3" (MIN).

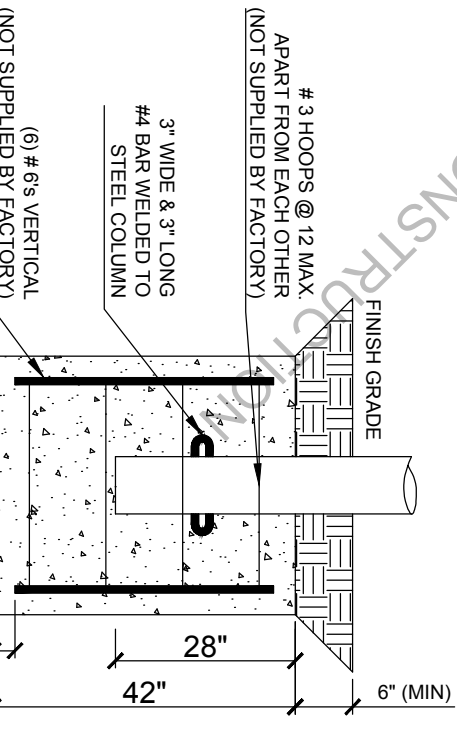
FABRIC:

1. UNLIMITED HOPE FABRIC HAS A SERVICE FACTOR OF 1.4.

NOTE TO OWNER:

OWNER ACCEPTS FULL RESPONSIBILITY FOR REMOVING OTHER FABRIC SHADE MATERIAL FROM THE STEEL FRAME WHEN SEVERE WEATHER CONDITIONS ARE PREDICTED, SUCH CONDITIONS INCLUDE PREDICTED WIND SPEEDS IN EXCESS OF 90 MPH. ALSO, AS STRUCTURE IS NOT DESIGNED FOR ANY SNOW LOAD, IT IS RECOMMENDED THAT SNOW NOT BE REMOVED WHEN SNOWFALL IS DETECTED.

© 2014 SHADE SYSTEMS, INC.



FOOTING DETAIL

Gibson Ranch Picnic Shade
Elverta, CA

Shade Systems
 4150 S.W. 19 Street
 Fort Lauderdale, FL 33305
 Tel: 1-800-509-0066

NOTE: PRELIMINARY AND TENTATIVE DRAWING. NOT FOR CONSTRUCTION. ALL INFORMATION SHOWN IS SUBJECT TO CHANGE BY MR. PRIOR TO DELIVERY. USE ONLY DRAWINGS AND ORDERS FOR CONSTRUCTION.

Approved: _____

Job: _____

Checked: _____

Drawn: _____

Date: _____

NOT TO SCALE

1 OF 1

Model: R225411

Revisions:

REP: _____