

Model: Steelworx Architectural End Gable, 18' x 18'
Model # GA-1818-SW-AE-612

Manufacturing Mission: To provide all prefabricated components and installation instructions for a 18' wide (measured from eave to eave) by 18' long free standing bolt together, tubular steel constructed shelter kit.

Design Criteria: Structure is typically designed for a 25 lb live load and a 90 mph wind load capacity, but can be designed based on specific site requirements upon request. All structural members are ASTM A-500 U.S. grade B steel. Welded connection plates shall be ASTM A-36 hot rolled steel. All fabrication performed to latest AISC standards by AWS Certified welders. All framing connections are done using A325 grade bolts within concealed access openings from above and will later be concealed by the roofing. All roof framing shall be flush against the roof decking to eliminate the possibility of bird nesting.

Tubular Steel Framing: Column dimensions shall be 6" x 6" x 3/16" tubular steel welded to base plates. Main support rafter beams shall be 7" x 5" x 3/16" and purlins are 5" x 3" x 1/8". Gable end ornamentation shall feature 5" x 3" x 1/8" horizontal and vertical members. Steel sizes are preliminary and may change upon final engineering based on actual site conditions and load requirements.

Roofing: 24 Ga. pre-cut Multi-Rib steel panels with Kynar 500 finish in a variety of colors with white underside. Roof slope shall be a 6/12 pitch with a clear eave height of 15'-0". Attached to structural framing with exposed self tapping screws painted to match roof color. Matching 24 Ga. trim included.

Frame Finish: All steel framework will receive a corrosion protective TGIC Polyester powder coat, electro-statically applied and cured at 400°F. A large selection of standard colors are available.

Foundation: All columns need to be anchored to concrete footings (footing design provided separately). Columns shall be surface mounted with anchor bolts at or below finish slab elevation. Optional base plate covers are available at an additional cost.

Hardware: All structural hardware provided and to be A-325.

Shop Drawing: The fabricator shall furnish a complete set of installation drawings.

Warranty: 10 years against manufacturer defects.

Not Included: Concrete or masonry work of any kind, roofing, unloading of product and installation.

Additional Options:

- Flexibility of Design
Such as: Height and Pitch
- Additional Engineering
- Variety of Colors
- Decorative Railings, Lattice, Braces, Trim, etc.
- Cupolas and Rooftop Accs.
- Column Style Variations
- Provisions for Electrical
- Lexan Wind Screens
- Tongue & Groove Roof Decking
- Asphalt Shingles, Standing Seam, Cedar Shake, or Clay Tile Roofing
- Composite Finished Ceiling
- Solar Panels & Solar Lighting
- Site Furnishings and Accs.

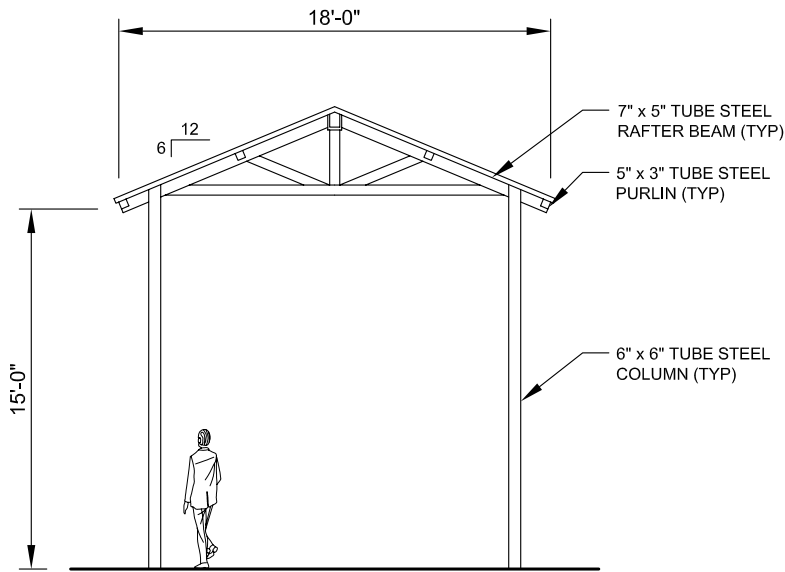


11800 East 9 Mile Road
Warren, MI 48089
Office: (586) 486-1088
Fax: (586) 754-9130
Toll Free: (800) 657-6118
Email: info@coverworx.com
www.CoverWorx.com

Steelworx Custom Architectural End Gable - 18' x 18'

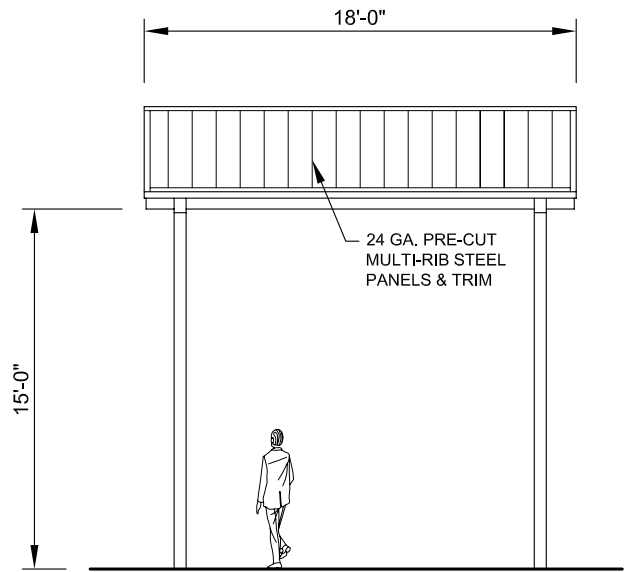
Mode: GA-1818-SW-AE-612

DESIGN SPECIFICATIONS



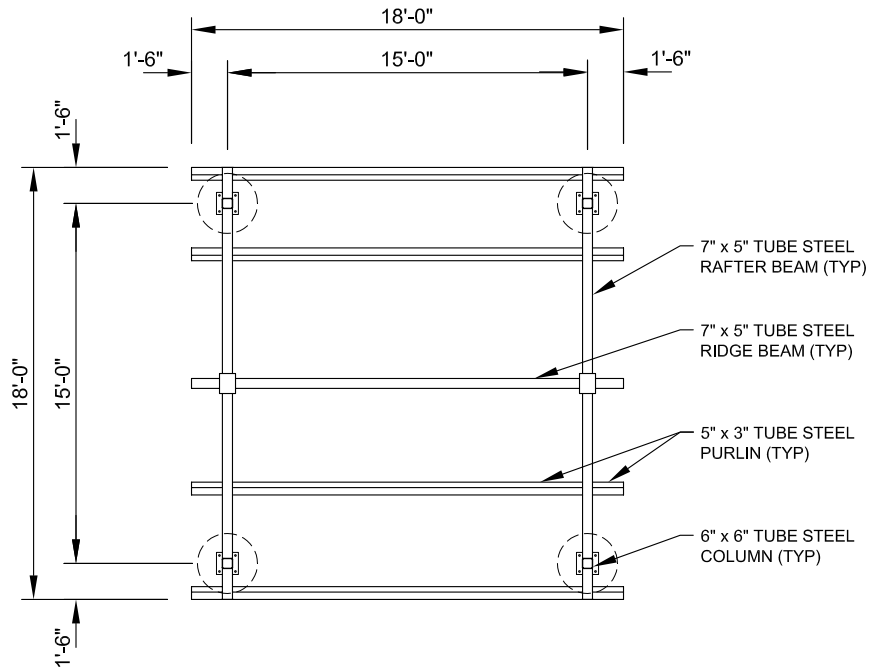
FRONT ELEVATION

SCALE: NTS



SIDE ELEVATION

SCALE: NTS



FRAMING PLAN

SCALE: NTS



11800 East 9 Mile Road
 Warren, MI 48089
 Office: (586) 486-1088
 Fax: (586) 754-9130
 Toll Free: (800) 657-6118
 Email: info@coverworx.com
 www.CoverWorx.com

Steelworx Custom Architectural End Gable - 18' x 18'

Mode: GA-1818-SW-AE-612

DESIGN SPECIFICATIONS